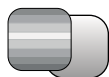




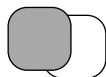
Technical Features



Faceted / Smooth



Standard RAL 9006 / 9016



SS Brushed / Polished



Other colors on request



Range
Up to 13,8 ft



Heating types
E : electrical 3 stages
P : water
A : unheated



Casing
Galvanised Steel [*]



Airflow / Length
1103 - 4473 cfm
3,2 ft to 9,8 ft



Heating capacity
E : 7,5 - 30,5 kW
P : 30,13 - 140,14
kBtu/h



Grille type
Micro-perforated
with prefilter function



Fans
Centrifugal
5-speed



Control
Plug&Play manual regulator
+ IR remote control



Outlet lamellas
Aluminium, airfoil type
Adjustable 0-15° each side

[*] Customizable dimensions on request

RUND is a cylindrical, elegant and exclusive decorative air curtain. Vertically installed on one or both sides of the door; horizontally above the entrance or encompassing large distances, RUND air curtains integrate seamlessly with the surrounding environment as an architectural column element. Wide range of accessories and configurations available to suit any need that requires the installation. Multiple finishes that make it the decorative solution suitable for any interior design project. Available in two different casing finishes (faceted or completely smooth). Casing painted in RAL 9016 or RAL 9006 as standard. Other colors are available on request.

This air curtain model works with double-inlet centrifugal fans driven by an external rotor motor with low noise level. EC models assembled with very low consumption efficiency fans.

Includes Plug&Play control with 23ft RJ45 cable, infrared remote control and magnetic door contact. For electrical heated models also includes thermostat.

CSA certified.

❄️ UNHEATED 208V-1ph~60Hz

Model	Airflow	Ventilation power	Ventilation current	Noise level	Weight
	cfm	208V-1ph~60Hz kW	208V-1ph~60Hz A	(5 m) dB(A)	
RUND G 1000 A	1368	0,332	1,61	56	101,4
RUND G 1500 A	1824	0,442	2,14	57	149,9
RUND G 2000 A	2737	0,663	3,21	58	196,2
RUND G 2500 A	3193	0,774	3,75	59	216,1
RUND G 3000 A	3649	0,884	4,28	60	238,1
RUND ECG 1000 A	1589	0,319	2,79	60	101,4
RUND ECG 1500 A	2119	0,425	3,72	61	149,9
RUND ECG 2000 A	3178	0,638	5,58	62	196,2
RUND ECG 2500 A	3708	0,744	6,51	63	216,1
RUND ECG 3000 A	4237	0,851	7,44	64	238,1



UNHEATED 240V-1ph~60Hz

Model	Airflow	Ventilation power 240V-1ph~60Hz	Ventilation current 240V-1ph~60Hz	Noise level (5 m)	Weight
	cfm	kW	A	dB(A)	lb
RUND G 1000 A	1457	0,395	1,65	57	101,4
RUND G 1500 A	1942	0,526	2,20	58	149,9
RUND G 2000 A	2913	0,789	3,30	59	196,2
RUND G 2500 A	3399	0,921	3,85	60	216,1
RUND G 3000 A	3884	1,052	4,40	61	238,1
RUND ECG 1000 A	1677	0,381	2,94	61	101,4
RUND ECG 1500 A	2236	0,508	3,92	62	149,9
RUND ECG 2000 A	3354	0,762	5,88	63	196,2
RUND ECG 2500 A	3914	0,889	6,86	64	216,1
RUND ECG 3000 A	4473	1,016	7,84	65	238,1

ELECTRIC HEATED 208V-1ph~60Hz

Model	Airflow	Electrical heating capacity (*)	Electrical heating capacity (*)	Electrical heating capacity (*)	Electrical heating capacity (*)	Ventilation power	Ventilation current	Noise level	Weight
		208V-3ph~60Hz	460V-3ph~60Hz	480V-3ph~60Hz	575V-3ph~60Hz	208V-1ph~60Hz	208V-1ph~60Hz	(5 m)	
	cfm	kW	kW	kW	kW	kW	A	dB(A)	lb
RUND G 1000 E	1324	2,5/5/7,5	2,5/5/7,5	3/5,5/8,5	3,5/4/7,5	0,332	1,61	56	119
RUND G 1500 E	1766	3,5/6,5/10	3,5/7/10,5	4/7,5/11,5	5/5,5/10,5	0,442	2,14	57	178,6
RUND G 2000 E	2648	5/9/14	5/10,5/15,5	5,5/11/16,5	6,5/8/14,5	0,663	3,21	58	235,9
RUND G 2500 E	3090	5,5/9/14,5	6/12/18	6,5/13/19,5	8/9,5/17,5	0,774	3,75	59	260,1
RUND G 3000 E	3531	6,5/8/14,5	6/12/18	6,5/13/19,5	9,5/9,5/19	0,884	4,28	60	282,2
RUND ECG 1000 E	1589	4/8/12	4/8/12	4,3/8,7/13	4/8/12	0,319	2,79	60	119
RUND ECG 1500 E	2119	6/9,5/15,5	5,5/10,5/16	5,8/11,7/17,5	5,5/11/16,5	0,425	3,72	61	178,6
RUND ECG 2000 E	3178	5/9/14	8/16,5/24,5	8,8/17,7/26,5	8/16/24	0,638	5,58	62	235,9
RUND ECG 2500 E	3708	5,5/9/14,5	9,5/18,5/28	10,2/20,3/30,5	9,5/19/28,5	0,744	6,51	63	260,1
RUND ECG 3000 E	4237	6,5/8/14,5	9,5/18,5/28	10,2/20,3/30,5	9,5/19/28,5	0,851	7,44	64	282,2

(*) Under request other electrical heating power can be limited.

For 208V~3ph~60Hz air Curtains there is only needed to connect three-phase power supply.

For the rest of air curtains, there is needed to connect both three-phase (for electrical heating) and single phase (for fans).

ELECTRIC HEATED 240V-1ph~60Hz

Model	Airflow	Electrical heating capacity (*)	Electrical heating capacity (*)	Electrical heating capacity (*)	Electrical heating capacity (*)	Ventilation power	Ventilation current	Noise level	Weight
		208V-3ph~60Hz	460V-3ph~60Hz	480V-3ph~60Hz	575V-3ph~60Hz	240V-1ph~60Hz	240V-1ph~60Hz	(5 m)	
	cfm	kW	kW	kW	kW	kW	A	dB(A)	lb
RUND G 1000 E	1412	4/8/12	4/8/12	4,3/8,7/13	4/8/12	0,395	1,65	57	119
RUND G 1500 E	1883	6/9,5/15,5	5,3/10,7/16	5,8/11,7/17,5	5,5/11/16,5	0,526	2,20	58	178,6
RUND G 2000 E	2825	5/9/14	8,2/16,3/24,5	8,8/17,7/26,5	8/16/24	0,789	3,30	59	235,9
RUND G 2500 E	3296	5,5/9/14,5	9,3/18,7/28	10,2/20,3/30,5	9,5/19/28,5	0,921	3,85	60	260,1
RUND G 3000 E	3766	6,5/8/14,5	9,3/18,7/28	10,2/20,3/30,5	9,5/19/28,5	1,052	4,40	61	282,2
RUND ECG 1000 E	1633	4/8/12	4/8/12	4,3/8,7/13	4/8/12	0,381	2,94	61	119
RUND ECG 1500 E	2177	6/9,5/15,5	5,3/10,7/16	5,8/11,7/17,5	5,5/11/16,5	0,508	3,92	62	178,6
RUND ECG 2000 E	3266	5/9/14	8,2/16,3/24,5	8,8/17,7/26,5	8/16/24	0,762	5,88	63	235,9
RUND ECG 2500 E	3811	5,5/9/14,5	9,3/18,7/28	10,2/20,3/30,5	9,5/19/28,5	0,889	6,86	64	260,1
RUND ECG 3000 E	4355	6,5/8/14,5	9,3/18,7/28	10,2/20,3/30,5	9,5/19/28,5	1,016	7,84	65	282,2

(*) Under request other electrical heating power can be limited.



WATER HEATED 208V-1ph~60Hz

Model	Airflow cfm	P86 (176/140°F)		P64 (140/104°F)		P54 (122/104°F)		Ventilation power (*) kW	Ventilation current (*) A	Noise level (5 m) dB(A)	Weight lb
		Water heating capacity	Water pressure drop	Water heating capacity	Water pressure drop	Water heating capacity	Water pressure drop				
		kBtu/h	psi	kBtu/h	psi	kBtu/h	psi				
RUND G 1000 P	1103	33,75	0,15	30,13	0,73	30,23	0,21	0,332	1,61	56	114,6
RUND G 1500 P	1471	48,79	0,11	44,63	0,94	46,75	0,65	0,442	2,14	57	169,8
RUND G 2000 P	2207	76,06	0,32	64,35	0,80	66,2	0,35	0,663	3,21	58	220,5
RUND G 2500 P	2575	94,99	0,59	76,7	0,59	82,13	0,63	0,774	3,75	59	240,3
RUND G 3000 P	2943	113,73	0,96	92,47	0,99	97,04	0,83	0,884	4,28	60	262,4
RUND ECG 1000 P	1501	40,57	0,20	36,61	1,03	37,36	0,30	0,320	2,86	60	114,6
RUND ECG 1500 P	2001	59	0,16	54,49	1,34	58,07	0,96	0,427	3,81	61	169,8
RUND ECG 2000 P	3001	91,68	0,45	78,45	1,14	82,06	0,51	0,640	5,72	62	220,5
RUND ECG 2500 P	3502	114,78	0,82	93,77	0,85	102,02	0,92	0,747	6,67	63	240,3
RUND ECG 3000 P	4002	137,68	1,35	113,15	1,41	120,79	1,22	0,854	7,63	64	262,4

Water heated: connection pipes P86 and P64 are 2x3/4" female (male if lateral pipes), P54 2x1" male.

P86 2 rows coil, P64 3 rows coil, P54 4 rows coil.

(*) Voltage 208-1ph~60Hz

WATER HEATED 240V-1ph~60Hz

Model	Airflow cfm	P86 (176/140°F)		P64 (140/104°F)		P54 (122/104°F)		Ventilation power (*) kW	Ventilation current (*) A	Noise level (5 m) dB(A)	Weight lb
		Water heating capacity	Water pressure drop	Water heating capacity	Water pressure drop	Water heating capacity	Water pressure drop				
		kBtu/h	psi	kBtu/h	psi	kBtu/h	psi				
RUND G 1000 P	1324	37,67	0,18	33,85	0,90	34,33	0,26	0,395	1,65	57	114,6
RUND G 1500 P	1766	54,66	0,14	50,29	1,16	53,23	0,82	0,526	2,20	58	169,8
RUND G 2000 P	2648	85,03	0,39	72,44	0,99	75,27	0,44	0,789	3,30	59	220,5
RUND G 2500 P	3090	106,36	0,72	86,5	0,74	93,53	0,79	0,921	3,85	60	240,3
RUND G 3000 P	3531	127,48	1,18	104,34	1,22	110,62	1,04	1,052	4,40	61	262,4
RUND ECG 1000 P	1545	41,25	0,21	37,26	1,06	38,11	0,31	0,381	2,94	61	114,6
RUND ECG 1500 P	2060	60,02	0,16	55,52	1,39	59,23	0,51	0,508	3,92	62	169,8
RUND ECG 2000 P	3090	93,29	0,46	79,91	1,18	83,7	0,53	0,762	5,88	63	220,5
RUND ECG 2500 P	3605	116,8	0,85	95,51	0,88	104,1	0,96	0,889	6,86	64	240,3
RUND ECG 3000 P	4120	140,14	1,39	115,3	1,46	123,25	1,26	1,016	7,84	65	262,4

Water heated: connection pipes P86 and P64 are 2x3/4" female (male if lateral pipes), P54 2x1" male.

P86 2 rows coil, P64 3 rows coil, P54 4 rows coil.

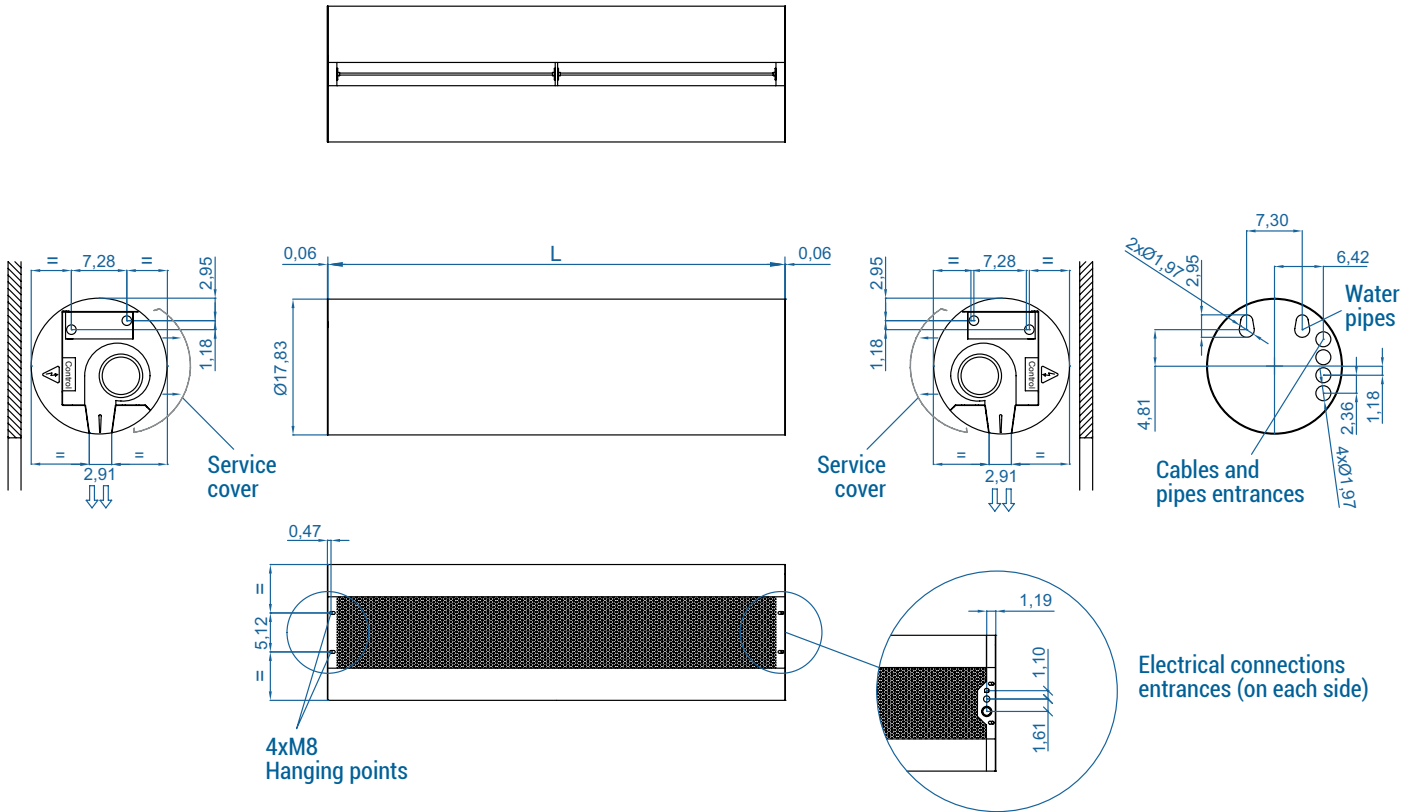
(*) Voltage 240-1ph~60Hz



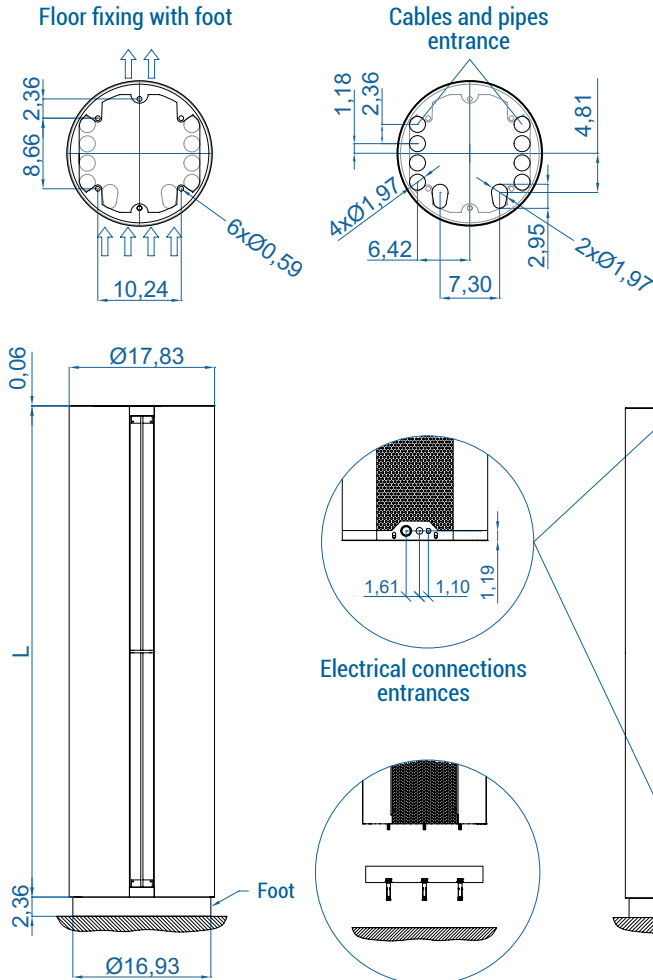
Selection program

Dimensions

Horizontal installation



Vertical installation



	L
RUND 1000	40,35
RUND 1500	60,04
RUND 2000	79,92
RUND 2500	99,61
RUND 3000	117,32

Customizable dimensions on request.

CAD drawings, installation manuals
and other documentation



Installation configurations



Ceiling fixation through threaded rods



Wall/ceiling fixation through angle supports



Wall/ceiling fixation through arms



Wall fixation through lateral arms



Floor fixation (goalpost)

Optional accessories

Supports and installation



Wall rail support
SPWR



Silentblock supports
SPANG-SIL / SLB



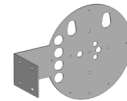
Suspension cables
SPCT



180° straight arm
Rund



Round arm
Rund



Kit junction Rund
ceiling / wall



Side bracket Rund
ceiling / wall



Foot support
SPF-Rund
(Galv. / SS)

Control



IR Control
✓Included



Basic Control
✓Included



RJ45 Cable
✓Included

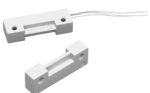


Hand-Auto
CH-5HW-NE



Interface kit
IN-NE-II

Sensors



Magnetic door contact
MAG-DC
✓Included



Mechanical door contact
MEG-DC